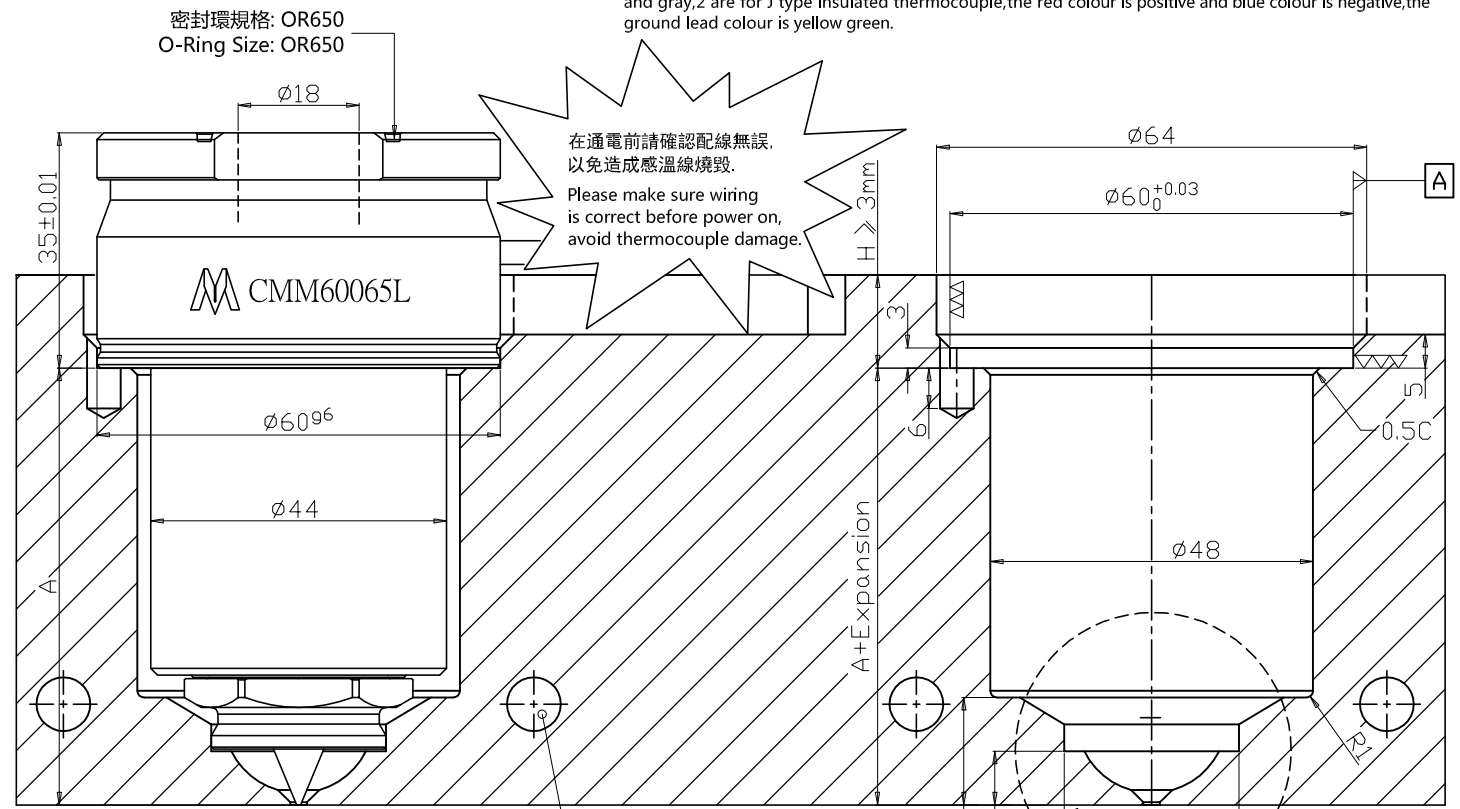
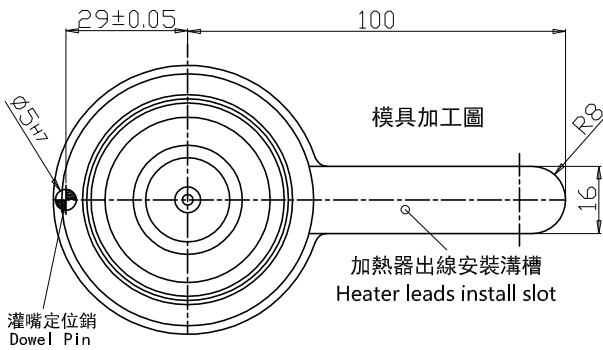


灌嘴型號 Nozzle code	A尺寸/mm A Length/mm	加熱器編號 Heater code	加熱功率/W Power/W
CMM60065L	65	CH-32070CY	700
CMM60085L	85	CH-32085CY	850
CMM60105L	105	CH-32085CY	850
CMM60125L	125	CH-32095CY	950
CMM60145L	145	CH-32095CY	950

本系列灌嘴長度亦可依模具設計提供客製品, 相關產品圖面需求請與本公司相關人員洽詢。  
For C series, we offer tailor-made nozzle length option, please contact us for drawing and further details.

請注意: 本系統加熱器出線共有五條, 其中兩條是電熱線, 顏色各為橘色與灰色, 另外兩條為歐規J型絕緣式感溫線, 紅色代表正極, 藍色代表負極, 最後一條是接地線, 顏色為黃綠色。

Note: Each C series nozzle heater contains 5 wireleads, 2 are for power, the wireleads colour are orange and gray, 2 are for J type insulated thermocouple, the red colour is positive and blue colour is negative, the ground lead colour is yellow green.



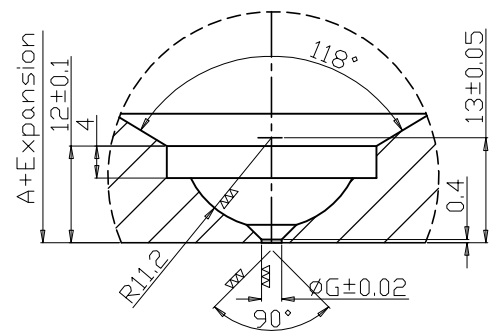
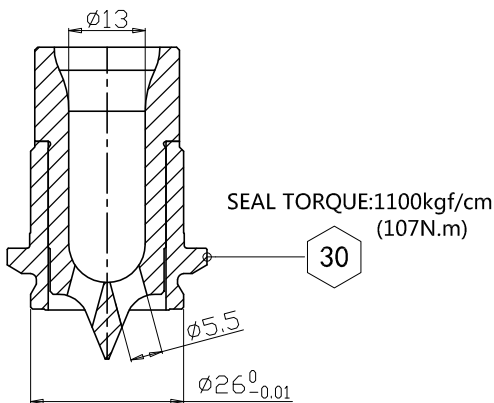
在通電前請確認配線無誤, 以免造成感溫線燒毀。  
Please make sure wiring is correct before power on, avoid thermocouple damage.

冷却水路  
Cooling Circuit

灌嘴熱膨脹量參考表

Nozzle thermo expansion length table

Expansion coefficient	1.32E-05	Expansion length
Mold temp	20	
Nozzle temp	250	
溫差	230	
Nozzle length	65	0.20
	85	0.26
	105	0.32
	125	0.38
	145	0.44



Expansion = Nozzle Length(A) x 0.0000132 x (Nozzle temp - Mold temp)

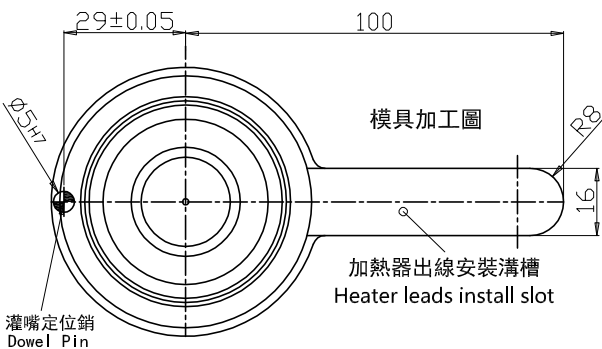
For Example,

Nozzle Length = 65mm,  
Nozzle temp = 250°C  
Mold temp = 20°C  
Expansion = 65 x 0.0000132 x (250 - 20)  
= 0.20mm

請注意/Note:  
澆口G大小範圍從Ø2.5~6.0mm, 尺寸依成型材質及成品厚薄來決定。

G dimension selection from Ø2.5~6.0mm, the final size should be determined by application.

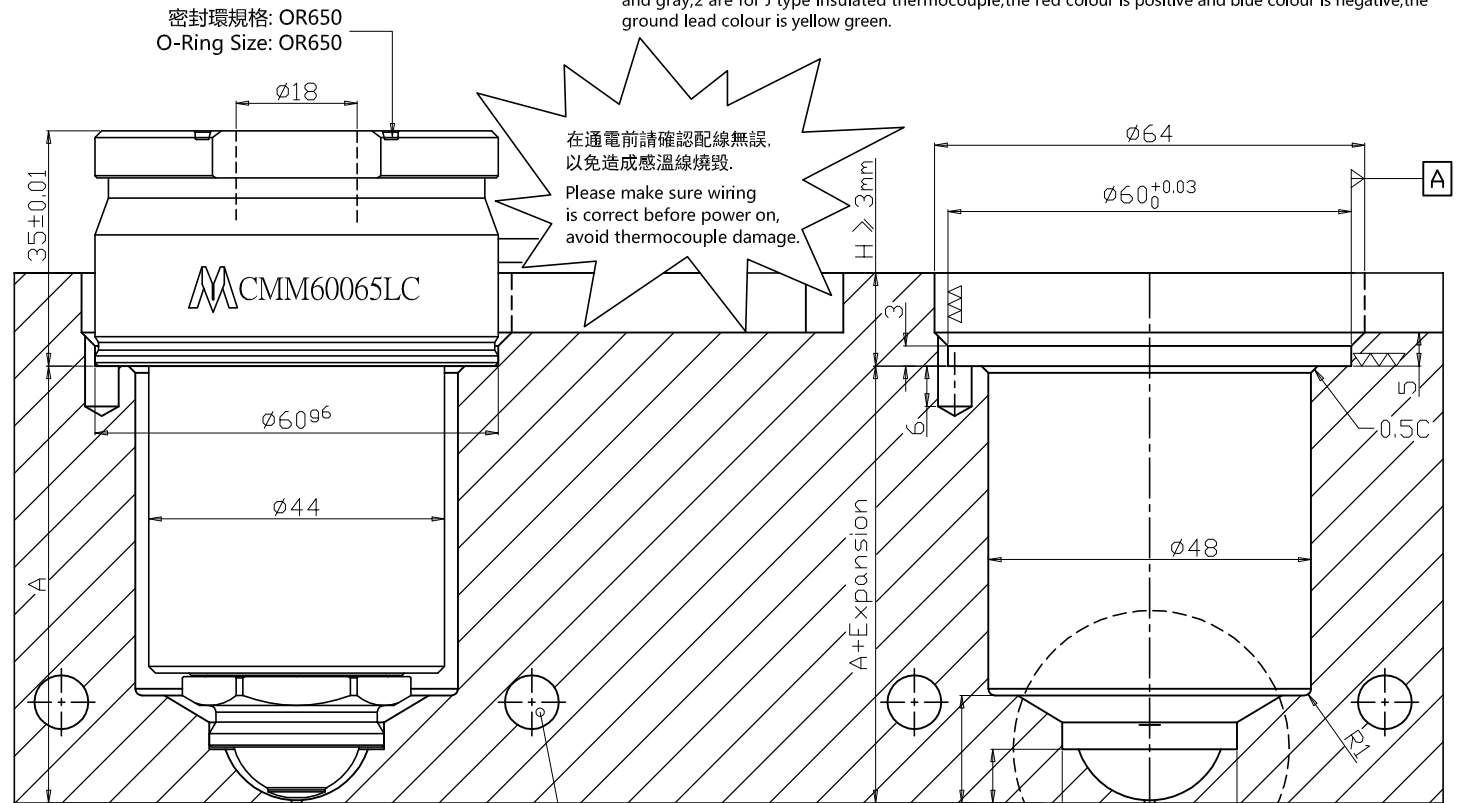
CMM60-Type LC



灌嘴型號 Nozzle code	A尺寸/mm A Length/mm	加熱器編號 Heater code	加熱功率/W Power/W	
CMM60065LC	65	CH-32070CY	700	本系列灌嘴長度亦可依模具設計提供客製品, 相關產品圖面需求請與本公司相關人員洽詢。 For C series, we offer tailor-made nozzle length option, please contact us for drawing and further details.
CMM60085LC	85	CH-32085CY	850	
CMM60105LC	105	CH-32085CY	850	
CMM60125LC	125	CH-32095CY	950	
CMM60145LC	145	CH-32095CY	950	

請注意: 本系統加熱器出線共有五條, 其中兩條是電熱線, 顏色各為橘色與灰色, 另外兩條為歐規J型絕緣式感溫線, 紅色代表正極, 藍色代表負極, 最後一條是接地線, 顏色為黃綠色。

Note: Each C series nozzle heater contains 5 wireleads, 2 are for power, the wireleads colour are orange and gray, 2 are for J type insulated thermocouple, the red colour is positive and blue colour is negative, the ground lead colour is yellow green.

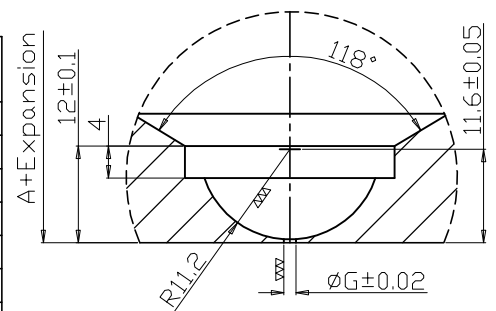
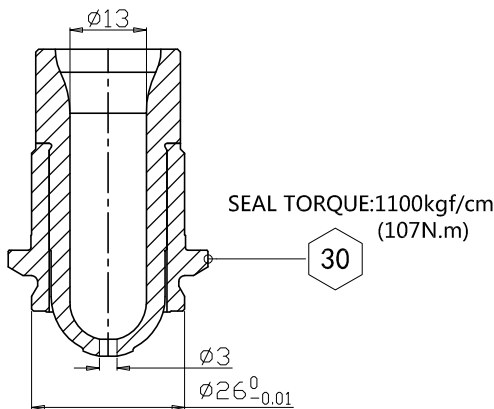


冷却水路  
Cooling Circuit

灌嘴熱膨脹量參考表

Nozzle thermo expansion length table

Expansion coefficient	1.32E-05	Expansion length
Mold temp	20	
Nozzle temp	250	
溫差	230	
Nozzle length	65	0.20
	85	0.26
	105	0.32
	125	0.38
	145	0.44



Expansion = Nozzle Length(A) x 0.0000132 x (Nozzle temp - Mold temp)

For Example,

Nozzle Length = 65mm,  
Nozzle temp = 250°C  
Mold temp = 20°C  
Expansion = 65 x 0.0000132 x (250 - 20)  
= 0.20mm

請注意/Note:

澆口G大小範圍從Ø1.5~3.5mm, 尺寸依成型材質及成品厚薄來決定。

G dimension selection from Ø1.5~3.5mm, the final size should be determined by application.

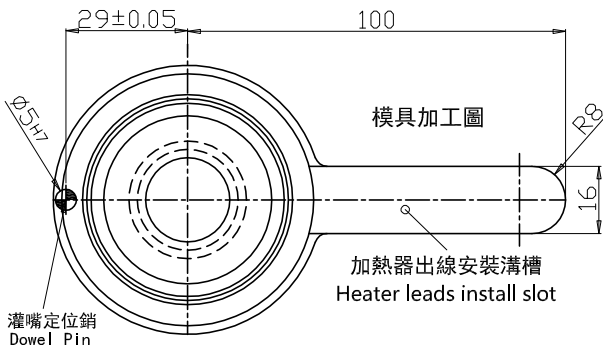
CMM60-Type S

灌嘴型號 Nozzle code	A尺寸/mm A Length/mm	加熱器編號 Heater code	加熱功率/W Power/W
CMM60065S	65	CH-32070CY	700
CMM60085S	85	CH-32085CY	850
CMM60105S	105	CH-32085CY	850
CMM60125S	125	CH-32095CY	950
CMM60145S	145	CH-32095CY	950

本系列灌嘴長度亦可依模具設計提供客製品, 相關產品圖面需求請與本公司相關人員洽詢。  
For C series, we offer tailor-made nozzle length option, please contact us for drawing and further details.

請注意: 本系統加熱器出線共有五條, 其中兩條是電熱線, 顏色各為橘色與灰色, 另外兩條為歐規J型絕緣式感溫線, 紅色代表正極, 藍色代表負極, 最後一條是接地線, 顏色為黃綠色。

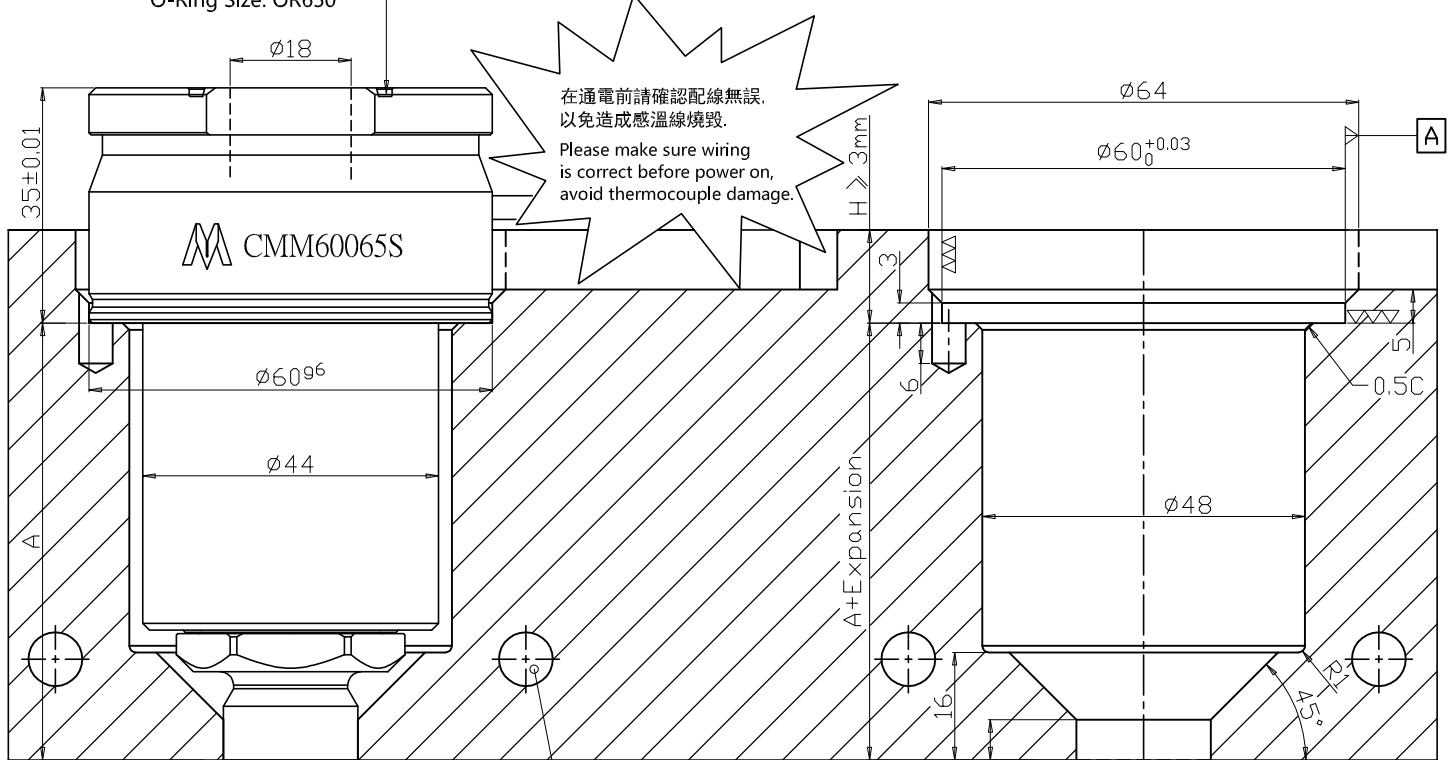
Note: Each C series nozzle heater contains 5 wireleads, 2 are for power, the wireleads colour are orange and gray, 2 are for J type insulated thermocouple, the red colour is positive and blue colour is negative, the ground lead colour is yellow green.



灌嘴定位銷  
Dowel Pin

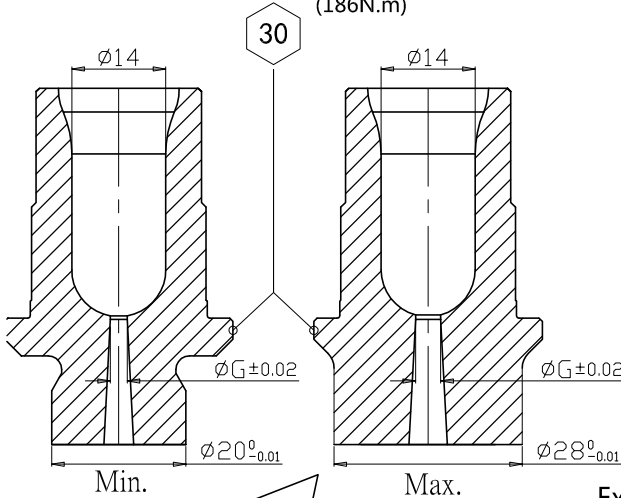
密封環規格: OR650  
O-Ring Size: OR650

在通電前請確認配線無誤, 以免造成感溫線燒毀。  
Please make sure wiring is correct before power on, avoid thermocouple damage.



SEAL TORQUE: 1900kgf/cm  
(186N.m)

冷却水路  
Cooling Circuit



灌嘴熱膨脹量參考表

Nozzle thermo expansion length table

Expansion coefficient	1.32E-05	Expansion length
Mold temp	20	
Nozzle temp	250	
溫差	230	
Nozzle length	65	0.20
	85	0.26
	105	0.32
	125	0.38
	145	0.44

ØD尺寸/mm ØD dia/mm	L尺寸/mm L Length/mm
Min. 20.0	6.0
Max. 28.0	10.0

Expansion = Nozzle Length(A) x 0.0000132 x (Nozzle temp - Mold temp)

請注意/Note:

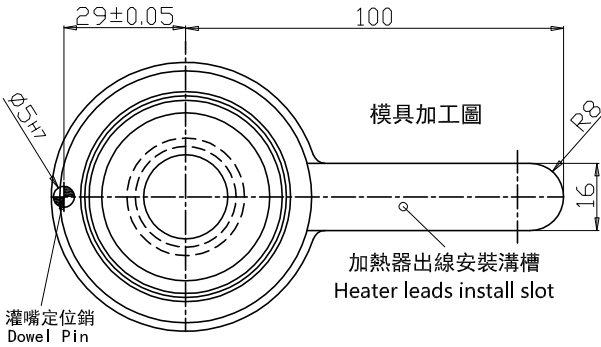
澆口G大小範圍從Ø3.0~6.0mm, 尺寸依成型材質及成品厚薄來決定。

G dimension selection from Ø3.0~6.0mm, the final size should be determined by application.

For Example,

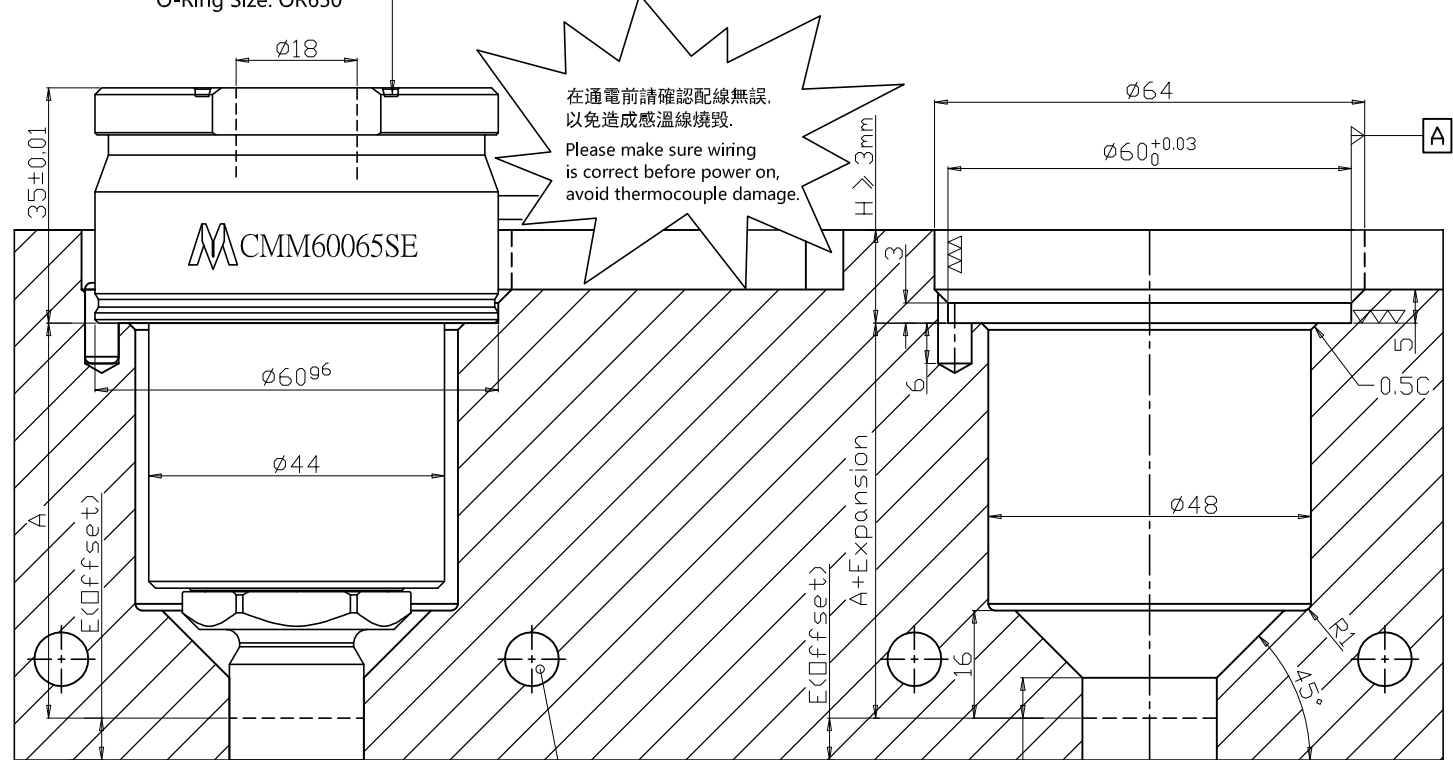
Nozzle Length=65mm,  
Nozzle temp=250°C  
Mold temp=20°C  
Expansion=65x0.0000132x(250-20)  
=0.20mm

CMM60-Type SE



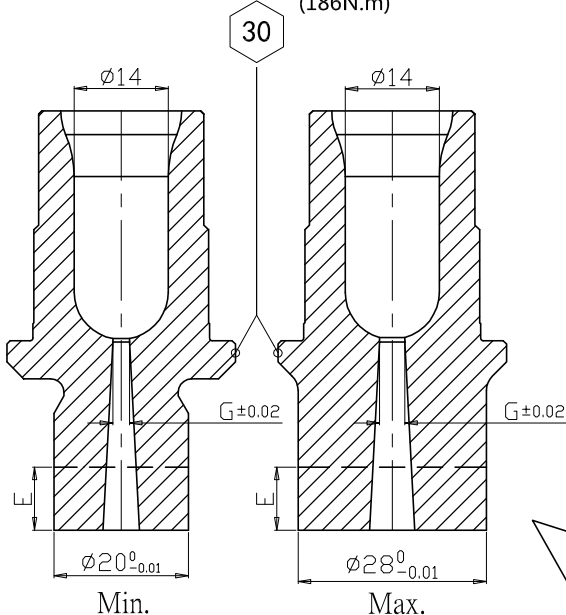
灌嘴定位銷  
Dowel Pin

密封環規格: OR650  
O-Ring Size: OR650



冷却水路  
Cooling Circuit

SEAL TORQUE:1900kgf/cm  
(186N.m)



灌嘴熱膨脹量參考表

Nozzle thermo expansion length table

Expansion coefficient	1.32E-05	Expansion length
Mold temp	20	
Nozzle temp	250	
溫差	230	
Nozzle length	65	0.20
	85	0.26
	105	0.32
	125	0.38
	145	0.44

ØD尺寸/mm ØD dia/mm	L尺寸/mm L Length/mm
Min. 20.0	6.0
Max. 28.0	10.0

請注意/Note :

E尺寸可依據客戶模具需求訂制合適的長度尺寸。

Dimension E can be customized by customer demand.

Expansion=Nozzle Length(A)x0.0000132x(Nozzle temp-Mold temp)

請注意/Note:

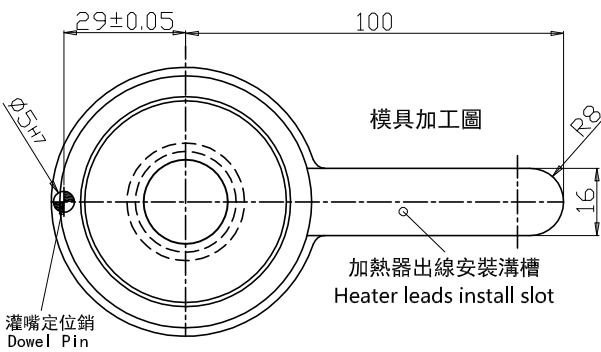
澆口G大小範圍從Ø3.0~6.0mm,尺寸依成型材質及成品厚薄來決定。

G dimension selection from Ø3.0~6.0mm,the final size should be determined by application.

For Example,

Nozzle Length=65mm,  
Nozzle temp=250°C  
Mold temp=20°C  
Expansion=65x0.0000132x(250-20)  
=0.20mm

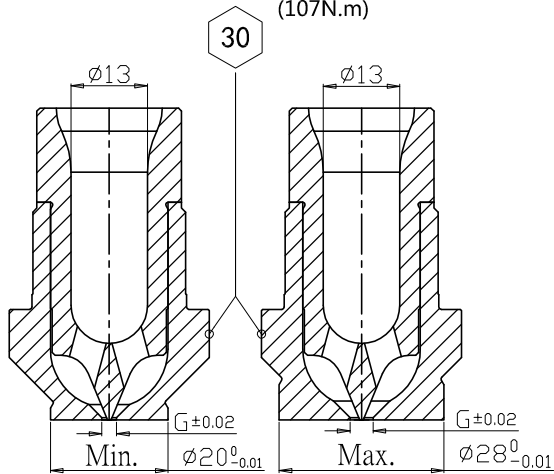
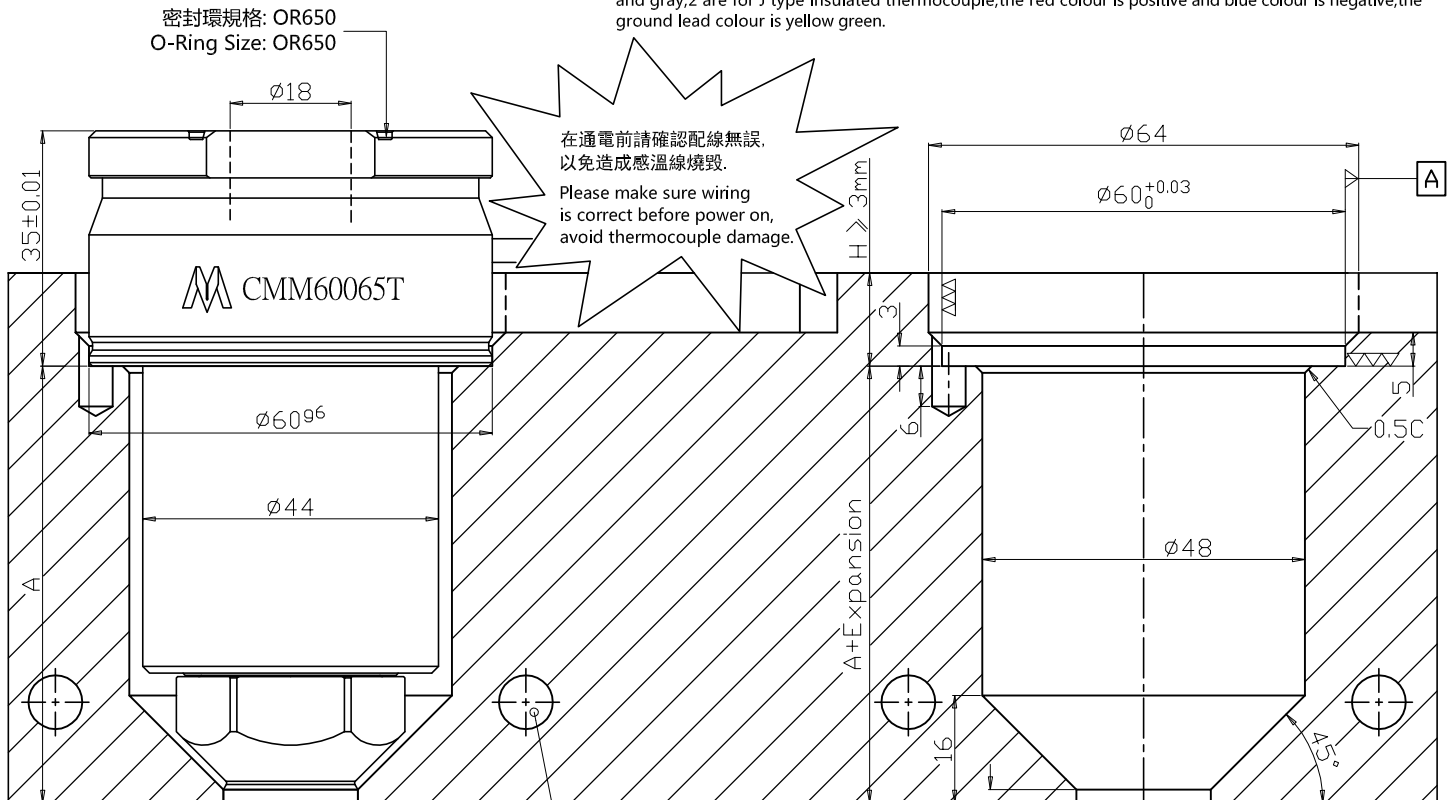
CMM60-Type T



灌嘴型號 Nozzle code	A尺寸/mm A Length/mm	加熱器編號 Heater code	加熱功率/W Power/W	
CMM60065T	65	CH-32070CY	700	本系列灌嘴長度亦可依模具設計提供客製品, 相關產品圖面需求請與本公司相關人員洽詢。 For C series, we offer tailor-made nozzle length option, please contact us for drawing and further details.
CMM60085T	85	CH-32085CY	850	
CMM60105T	105	CH-32085CY	850	
CMM60125T	125	CH-32095CY	950	
CMM60145T	145	CH-32095CY	950	

請注意: 本系統加熱器出線共有五條, 其中兩條是電熱線, 顏色各為橘色與灰色, 另外兩條為歐規J型絕緣式感溫線, 紅色代表正極, 藍色代表負極, 最後一條是接地線, 顏色為黃綠色。

Note: Each C series nozzle heater contains 5 wireleads, 2 are for power, the wireleads colour are orange and gray, 2 are for J type insulated thermocouple, the red colour is positive and blue colour is negative, the ground lead colour is yellow green.



灌嘴熱膨脹量參考表  
Nozzle thermo expansion length table

Expansion coefficient	1.32E-05	Expansion length
Mold temp	20	
Nozzle temp	250	
溫差	230	
Nozzle length	65	0.20
	85	0.26
	105	0.32
	125	0.38
	145	0.44

ØD尺寸/mm ØD dia/mm	L尺寸/mm L Length/mm
Min. 20.0	2.0
Max. 28.0	6.0

Expansion = Nozzle Length(A) x 0.0000132 x (Nozzle temp - Mold temp)

請注意/Note:  
澆口G大小範圍從Ø2.5~6.0mm, 尺寸依成型材質及成品厚薄來決定。

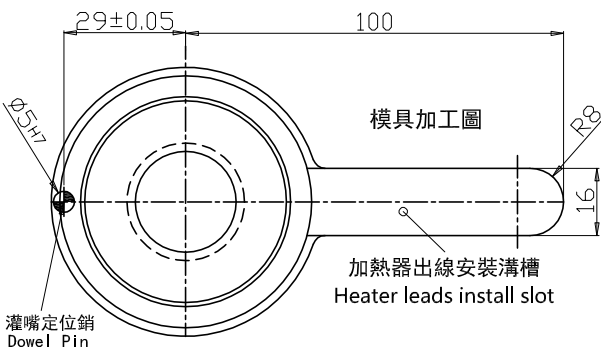
G dimension selection from Ø2.5~6.0mm, the final size should be determined by application.

For Example,

Nozzle Length = 65mm,  
Nozzle temp = 250°C  
Mold temp = 20°C  
Expansion = 65 x 0.0000132 x (250 - 20)  
= 0.20mm



CMM60-Type TC



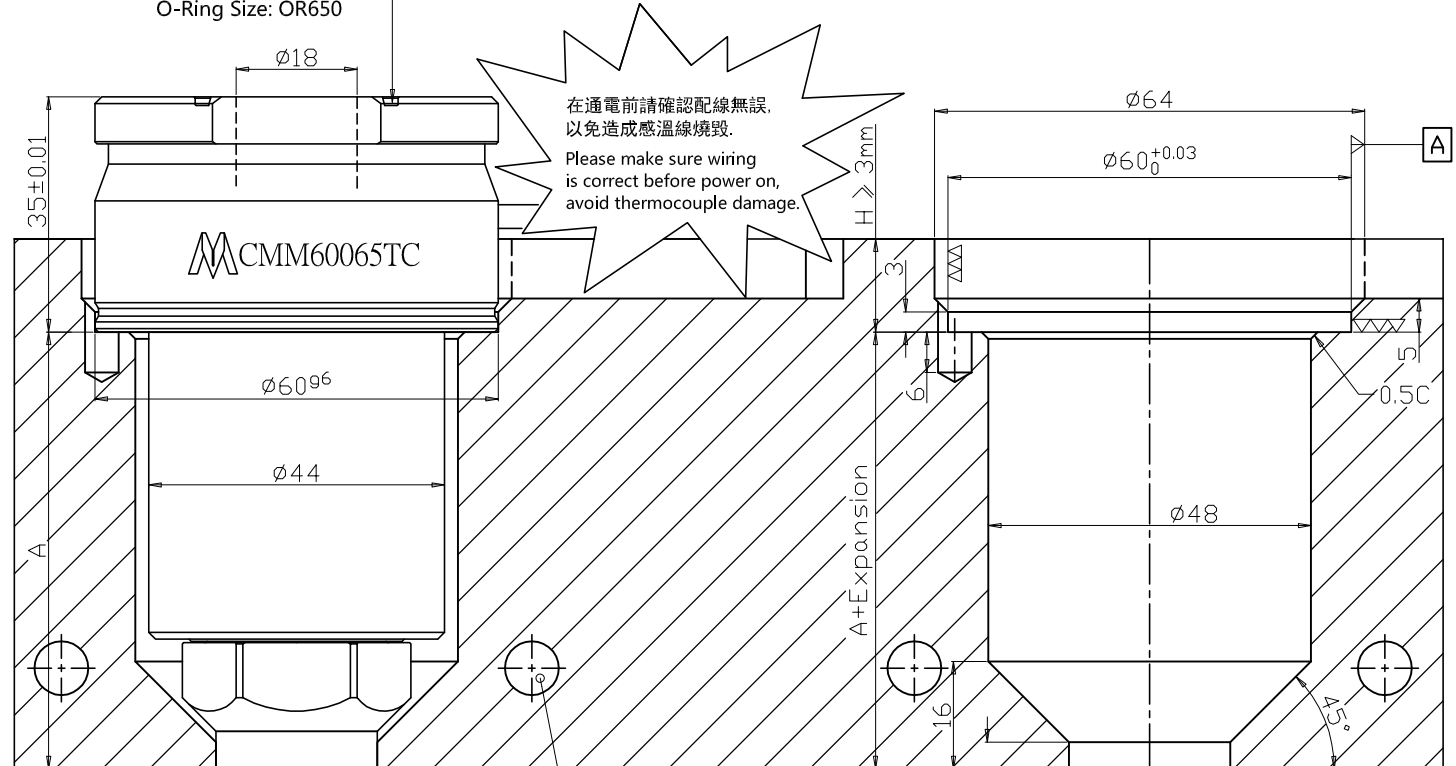
灌嘴定位銷  
Dowel Pin

密封環規格: OR650  
O-Ring Size: OR650

灌嘴型號 Nozzle code	A尺寸/mm A Length/mm	加熱器編號 Heater code	加熱功率/W Power/W	
CMM60065TC	65	CH-32070CY	700	本系列灌嘴長度亦可依模具設計提供客製品, 相關產品圖面需求請與本公司相關人員洽詢。 For C series, we offer tailor-made nozzle length option, please contact us for drawing and further details.
CMM60085TC	85	CH-32085CY	850	
CMM60105TC	105	CH-32085CY	850	
CMM60125TC	125	CH-32095CY	950	
CMM60145TC	145	CH-32095CY	950	

請注意: 本系統加熱器出線共有五條, 其中兩條是電熱線, 顏色各為橘色與灰色, 另外兩條為歐規J型絕緣式感溫線, 紅色代表正極, 藍色代表負極, 最後一條是接地線, 顏色為黃綠色。

Note: Each C series nozzle heater contains 5 wireleads, 2 are for power, the wireleads colour are orange and gray, 2 are for J type insulated thermocouple, the red colour is positive and blue colour is negative, the ground lead colour is yellow green.



在通電前請確認配線無誤, 以免造成感溫線燒毀。  
Please make sure wiring is correct before power on, avoid thermocouple damage.

SEAL TORQUE: 1100kgf/cm  
(107N.m)

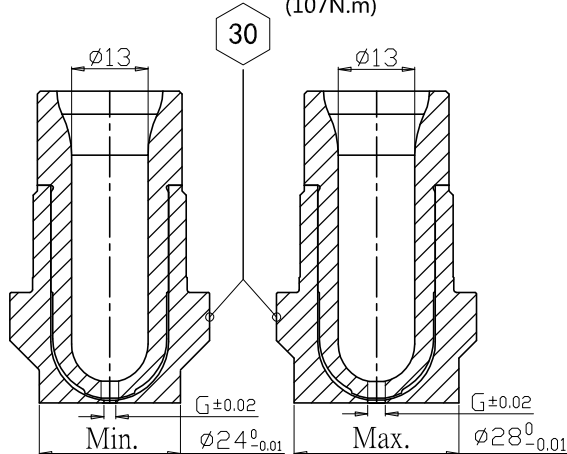
冷却水路  
Cooling Circuit

灌嘴熱膨脹量參考表

Nozzle thermo expansion length table

Expansion coefficient	1.32E-05	Expansion length
Mold temp	20	
Nozzle temp	250	
溫差	230	
Nozzle length	65	0.20
	85	0.26
	105	0.32
	125	0.38
	145	0.44

ØD尺寸/mm ØD dia/mm	L尺寸/mm L Length/mm
Min. 24.0	4.0
Max. 28.0	6.0



Expansion = Nozzle Length(A) x 0.0000132 x (Nozzle temp - Mold temp)

請注意/Note:

澆口G大小範圍從Ø2.5~3.6mm, 尺寸依成型材質及成品厚薄來決定。

G dimension selection from Ø2.5~3.6mm, the final size should be determined by application.

For Example,

Nozzle Length = 65mm,  
Nozzle temp = 250°C  
Mold temp = 20°C  
Expansion = 65 x 0.0000132 x (250 - 20)  
= 0.20mm

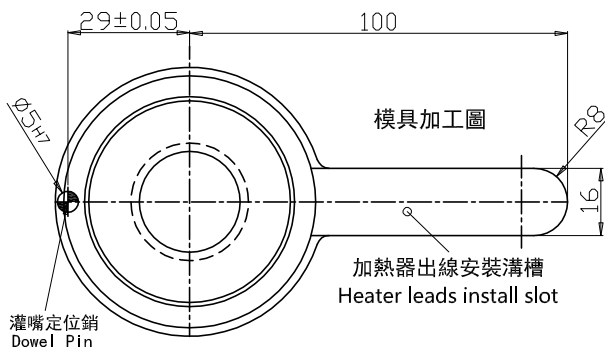
CMM60-Type TCE

灌嘴型號 Nozzle code	A尺寸/mm A Length/mm	加熱器編號 Heater code	加熱功率/W Power/W
CMM60065TCE	65	CH-32070CY	700
CMM60085TCE	85	CH-32085CY	850
CMM60105TCE	105	CH-32085CY	850
CMM60125TCE	125	CH-32095CY	950
CMM60145TCE	145	CH-32095CY	950

本系列灌嘴長度亦可依模具設計提供客製品，相關產品圖面需求請與本公司相關人員洽詢。  
For C series, we offer tailor-made nozzle length option, please contact us for drawing and further details.

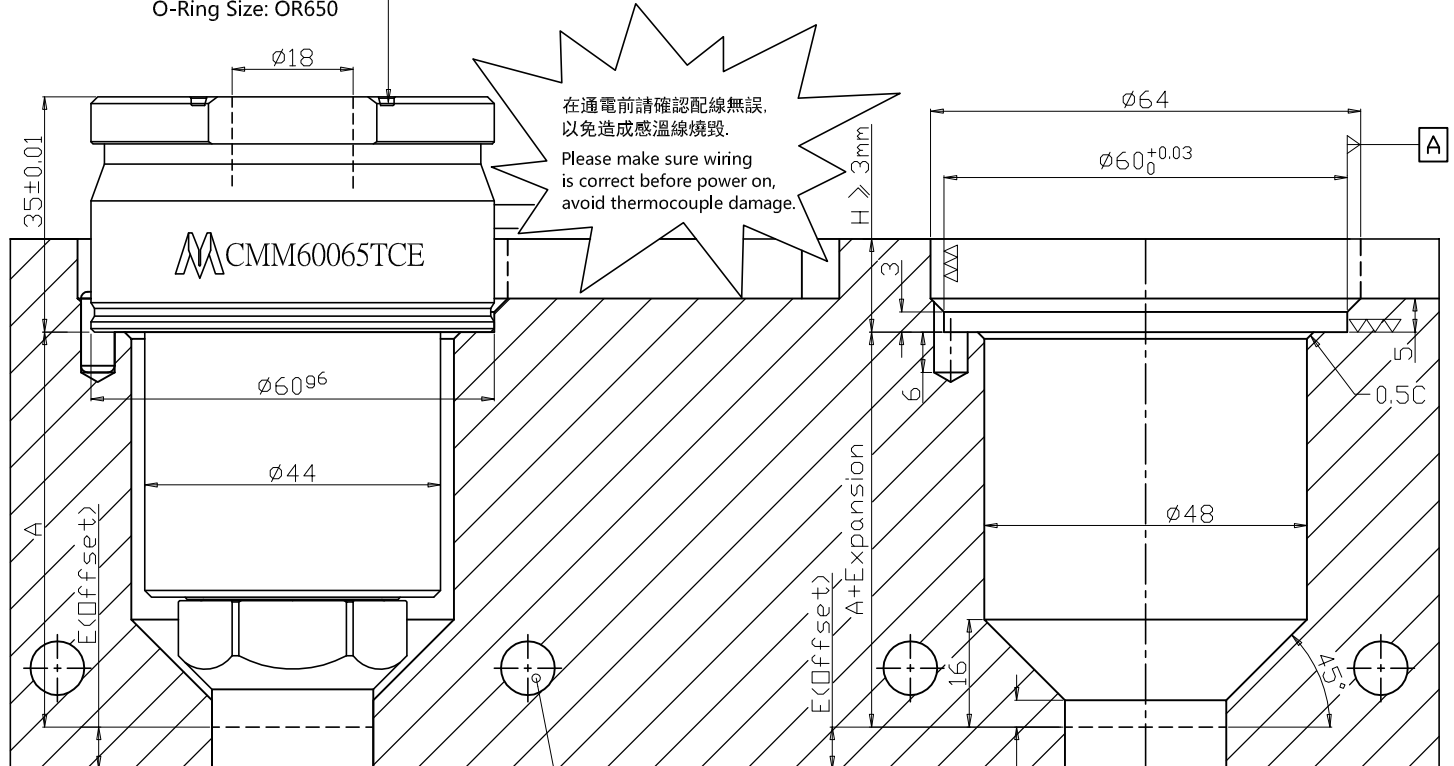
請注意：本系統加熱器出線共有五條，其中兩條是電熱線，顏色各為橘色與灰色，另外兩條為歐規J型絕緣式感溫線，紅色代表正極，藍色代表負極，最後一條是接地線，顏色為黃綠色。

Note: Each C series nozzle heater contains 5 wireleads, 2 are for power, the wireleads colour are orange and gray, 2 are for J type insulated thermocouple, the red colour is positive and blue colour is negative, the ground lead colour is yellow green.



灌嘴定位銷  
Dowel Pin

密封環規格: OR650  
O-Ring Size: OR650



在通電前請確認配線無誤，  
以免造成感溫線燒毀。  
Please make sure wiring  
is correct before power on,  
avoid thermocouple damage.

冷却水路  
Cooling Circuit

SEAL TORQUE: 1100kgf/cm  
(107N.m)

灌嘴熱膨脹量參考表  
Nozzle thermo expansion length table

Expansion coefficient	1.32E-05	Expansion length
Mold temp	20	
Nozzle temp	250	
溫差	230	
Nozzle length	65	0.20
	85	0.26
	105	0.32
	125	0.38
	145	0.44

ØD尺寸/mm ØD dia/mm	L尺寸/mm L Length/mm
Min. 24.0	4.0
Max. 28.0	6.0

請注意/Note :

E尺寸可依據客戶模具需求訂制合適的長度尺寸。

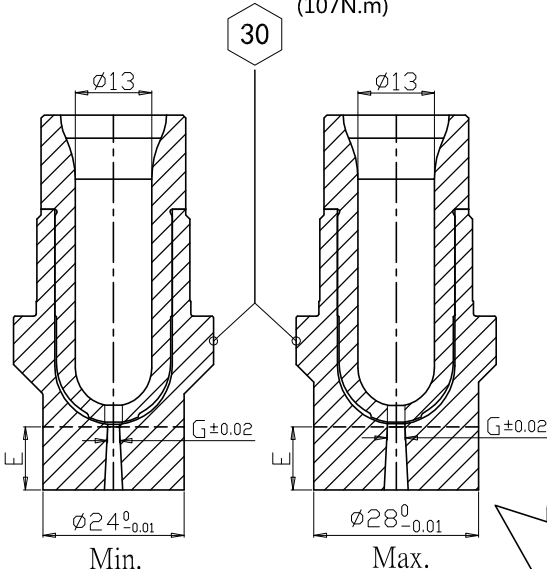
Dimension E can be customized by customer demand.

Expansion = Nozzle Length(A) × 0.0000132 × (Nozzle temp - Mold temp)

請注意/Note:  
澆口G大小範圍從Ø3.0~3.6mm, 尺寸依成型材質及成品厚薄來決定。  
G dimension selection from Ø3.0~3.6mm, the final size should be determined by application.

For Example,

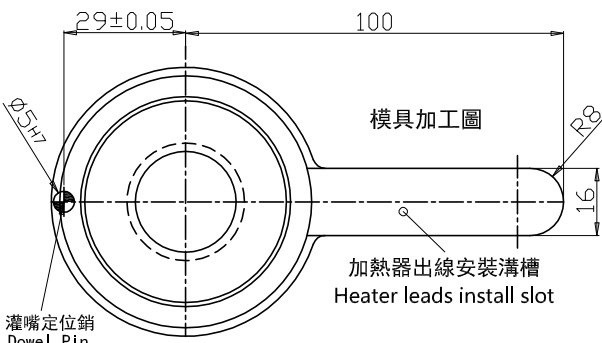
Nozzle Length = 65mm,  
Nozzle temp = 250°C  
Mold temp = 20°C  
Expansion = 65 × 0.0000132 × (250 - 20)  
= 0.20mm



Min.

Max.

CMM60-Type TE



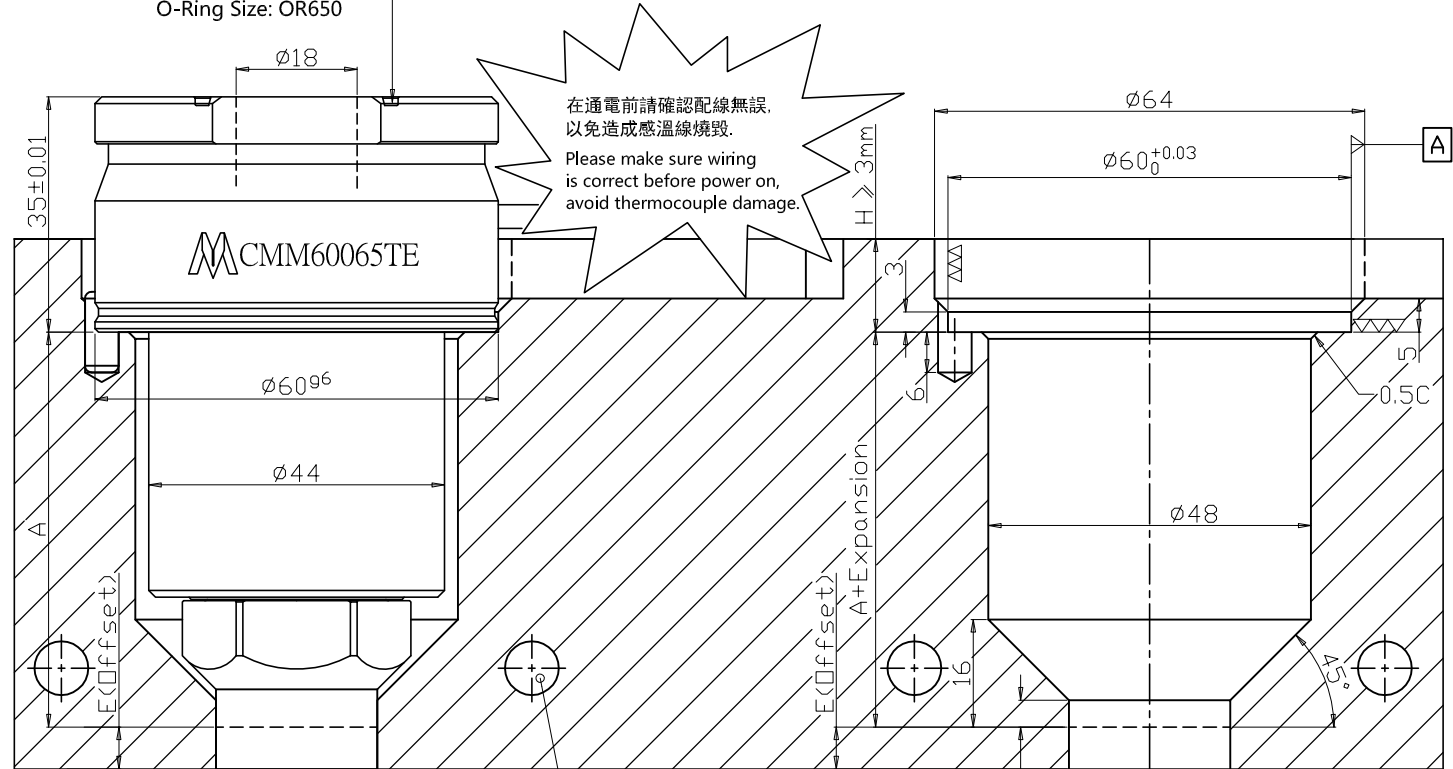
灌嘴定位銷  
Dowel Pin

密封環規格: OR650  
O-Ring Size: OR650

灌嘴型號 Nozzle code	A尺寸/mm A Length/mm	加熱器編號 Heater code	加熱功率/W Power/W	
CMM60065TE	65	CH-32070CY	700	本系列灌嘴長度亦可依模具設計提供客製品, 相關產品圖面需求請與本公司相關人員洽詢。 For C series, we offer tailor-made nozzle length option, please contact us for drawing and further details.
CMM60085TE	85	CH-32085CY	850	
CMM60105TE	105	CH-32085CY	850	
CMM60125TE	125	CH-32095CY	950	
CMM60145TE	145	CH-32095CY	950	

請注意: 本系統加熱器出線共有五條, 其中兩條是電熱線, 顏色各為橘色與灰色, 另外兩條為歐規J型絕緣式感溫線, 紅色代表正極, 藍色代表負極, 最後一條是接地線, 顏色為黃綠色。

Note: Each C series nozzle heater contains 5 wireleads, 2 are for power, the wireleads colour are orange and gray, 2 are for J type insulated thermocouple, the red colour is positive and blue colour is negative, the ground lead colour is yellow green.



冷却水路  
Cooling Circuit

SEAL TORQUE: 1100kgf/cm  
(107N.m)

灌嘴熱膨脹量參考表

Nozzle thermo expansion length table

Expansion coefficient	1.32E-05	Expansion length
Mold temp	20	
Nozzle temp	250	
溫差	230	
Nozzle length	65	0.20
	85	0.26
	105	0.32
	125	0.38
	145	0.44

ØD尺寸/mm ØD dia/mm	L尺寸/mm L Length/mm
Min. 24.0	4.0
Max. 28.0	6.0

請注意/Note:

E尺寸可依據客戶模具需求訂制合適的長度尺寸。

Dimension E can be customized by customer demand.

Expansion = Nozzle Length (A) × 0.0000132 × (Nozzle temp - Mold temp)

請注意/Note:  
澆口G大小範圍從Ø3.0~6.0mm, 尺寸依成型材質及成品厚薄來決定。

G dimension selection from Ø3.0~6.0mm, the final size should be determined by application.

For Example,

Nozzle Length = 65mm,  
Nozzle temp = 250°C  
Mold temp = 20°C  
Expansion = 65 × 0.0000132 × (250 - 20) = 0.20mm

